

JVC

SERVICE MANUAL

COLOUR TELEVISION

BASIC CHASSIS

CM-F

AV-21P8(VT)

This service manual mainly consists of the following items:

- The items which differ from those for the AV-21PX service manual.
- The initial value for each setting item.

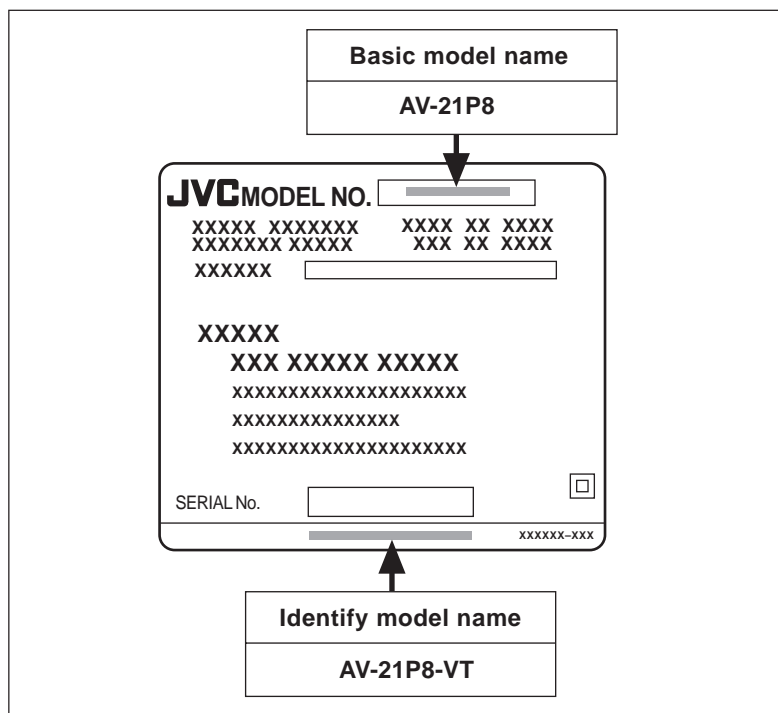
For details other than those described in this manual, please refer to the following service manual.

Reference Service Manual: AV-21PX Service Manual (No. 56039, Jul. 2000)

Note: The page in parentheses shows the one for the AV-21PX service manual (No. 56039, Jul. 2000).

HOW TO IDENTIFY MODEL

While referring to the illustration given below, identify model name on the rating label affixed to the rear cover.



PARTS DIFFERENCE TABLE

The different parts between AV-21PX and AV-21P8(vT) are described below:

▲	REF. NO.	AV-21PX	AV-21P8(vT)	PART NAME	DESCRIPTION
		PART No.	PART No.		
■ EXPLODED VIEW PARTS LIST (Page 32)					
▲	L01	QQW0058-001	QQW0067-001	DEG COIL	
	1	LC10549-012A-H	LC10549-011A-HK	FRONT CABI ASSY	
▲	17	LC10551-002A-H	LC10551-002A-HK	REAR COVER	
▲	18	LC20377-010B-H	GG20001-017A-H	RATING LABEL	
■ PRINTED WIRING BOARD PARTS LIST [MAIN PWB ASSY] (Page 34-)					
	—	SCM-1613A-H2	SCM-1618A-CK	MAIN PWB ASSY	
	C1972	QEHR1AM-108Z	—	E CAP.	1000μF 10V M
		—	QETM1CM-108	—	E CAP.
	C1974	QEHR1CM-107Z	—	E CAP.	100μF 16V M
		—	QFN31HJ-222	—	M CAP.
	D1553	RH1S-T3	RH1S-LFA1	SI DIODE	
	D1554	RH1S-T3	RH1S-LFA1	SI DIODE	
	IC1701	M37204MC-D47SP	M37204MC-E40SP	IC (MICROCOMPUTER)	
	IC1702	AT24C08-AV21PS	AT24C08-21P8VT	IC (MEMORY)	(Service)
■ PRINTED WIRING BOARD PARTS LIST [INNER PIN PWB ASSY] (Page 37)					
	—	SCM-2102A-H2	SCM-2104A-CK	INNER PIN PWB ASSY	
■ PRINTED WIRING BOARD PARTS LIST [CRT SOCKET PWB ASSY] (Page 37-)					
	—	SCM-3302A-H2	SCM-3304A-CK	CRT SOCKET PWB ASSY	
	D3302	RH1S-T3	RH1S-LFA1	SI DIODE	SI DIODE
	D3303	RH1S-T3	RH1S-LFA1	SI DIODE	SI DIODE
■ PRINTED WIRING BOARD PARTS LIST [FRONT CONTROL PWB ASSY] (Page 39)					
	—	SCM-8302A-H2	SCM-8306A-CK	FRONT CONTROL PWB ASSY	
■ PRINTED WIRING BOARD PARTS LIST [ALC PWB ASSY] (Page 39)					
	—	SCM0A105A-H2	SCM0A106A-CK	ALC PWB ASSY	
■ PRINTED WIRING BOARD PARTS LIST [IF PWB ASSY] (Page 40-)					
	—	SCM0F302A-H2	SCM0F303A-CK	IF PWB ASSY	
	R0609	NRSA02J-471X	—	CHIP RESISTOR	
	C0609	NCB21HK-103X	—	CHIP C CAPACITOR	
	Q0101	2SC5083/L-P/-T	2SC5082/L-P/	SI TRANSISTOR	
	Q0603	DTC124EKA-X	—	DIGI TRANSISTOR	
	CF0606	QAX0337-001	—	CERAMIC FILTER	

△	REF. NO.	AV-21PX	AV-21P8(vT)	PART NAME	DESCRIPTION
		PART No.	PART No.		
■ PRINTED WIRING BOARD PARTS LIST [AV SW PWB ASSY] (Page 41-)					
	—	SCM0Y502A-H2	SCM0Y503A-CK	AV SW PWB ASSY	
	C0302	QENC1EM-106Z	———	BP E CAP.	10μF 25V M
		———	QENB1CM-106		BP E CAP.
	C0311	QENC1EM-106Z	———	BP E CAP.	10μF 25V M
		———	QENB1CM-106		BP E CAP.
	C0312	QENC1EM-106Z	———	BP E CAP.	10μF 25V M
		———	QENB1CM-106		BP E CAP.
	C0401	QENC1EM-106Z	———	BP E CAP.	10μF 25V M
		———	QENB1CM-106		BP E CAP.
	C0404	QENC1EM-106Z	———	BP E CAP.	10μF 25V M
		———	QENB1CM-106		BP E CAP.
	C0406	QENC1EM-106Z	———	BP E CAP.	10μF 25V M
		———	QENB1CM-106		BP E CAP.
	C0423	QENC1EM-106Z	———	BP E CAP.	10μF 25V M
		———	QENB1CM-106		BP E CAP.
	C0424	QENC1EM-106Z	———	BP E CAP.	10μF 25V M
		———	QENB1CM-106		BP E CAP.
	C0428	QENC1EM-106Z	———	BP E CAP.	10μF 25V M
		———	QENB1CM-106		BP E CAP.
	C0627	QETN1EM-476Z	———	E CAP.	47μF 25V M
		———	QETM1CM-476		E CAP.
■ PACKING PARTS LIST (Page 43)					
	1	GG10044-007A-H	GG10078-001A	PACKING CASE	
△	6	LCT0735-001A-H	LCT0741-001A	INST BOOK	
	7	CM47385-00B-H	CM43936-001	POS/SERIAL LABEL	
△	8	LCT0736-001A-H	———	DIGEST MANUAL	
△	9	LCT0737-001A-H	———	DIGEST MANUAL	
	—	———	CM35847-00A-H	ROD ANTENNA ASSY	
	—	———	CEAB005-00AJ1	MATCHING BOX	

SPECIFICATIONS (Page 2)

Item		Content
Dimensions (W × H × D)		596mm × 468.5mm × 481.5mm
Mass		25kg
TV RF System		B / G, D / K, K1, M
Colour System	TV Mode	PAL / SECAM / NTSC3.58 / NTSC4.43
	VIDEO Mode	PAL / SECAM / NTSC3.58 / NTSC4.43
Receiving Frequency	VHF (VL)	46.25MHz ~ 168.25MHz
	VHF (VH)	175.25MHz ~ 463.25MHz
	UHF	471.25MHz ~ 863.25MHz
	CATV	● Cable TVs of Mid (X-Z, S1-S10) Super (S11-S20) & Hyper (S21-S41) bands receivable
Intermediate Frequency	VIF Carrier	38.0MHz
	SIF Carrier	31.5MHz (6.5MHz)
		32.5MHz (5.5MHz)
33.5MHz (4.5MHz)		
Colour Sub Carrier Frequency		PAL (4.43MHz), SECAM (4.40625MHz / 4.25MHz) NTSC (3.58MHz / 4.43MHz)
Aerial Input Terminal		75Ω Unbalanced
Power Input		Rating: AC110 ~ 240V, 50/60Hz Operating: AC90 ~ 260V, 50/60Hz
Power Consumption		135W (Max.) / 89W (Avg.)
Picture Tube		Visible size : 51cm measured diagonally
High Voltage		29kV +1/-1.5kV (at zero beam current)
Speaker		5 × 12cm Oval type × 2
Audio Output		5W + 5W
Input (S/Video-1, Video-2 & -3, Audio)	Video	1Vp-p, 75Ω
	S/Video	Y: 1Vp-p Positive (negative sync provided, when terminated with 75Ω) C: 0.286Vp-p (burst signal, when terminated with 75Ω)
	Audio (L/R)	500mVrms (-4dBs), High impedance
Output	Video	1Vp-p, 75Ω
	Audio (L/R)	500mVrms (-4dBs), Low impedance
Headphone Jack		Stereo mini jack (3.5ø)
Remote Control Unit		RM-C235-1C (Battery size : AA/R06/UM-3 × 2)

Design & specifications are subject to change without notice.

SPECIFIC SERVICE INSTRUCTIONS

SETTING OF SYSTEM CONSTANT SET (Page 7)

Table 1

Setting item	Setting contents	Setting value
1. COLOUR AUTO	<input type="checkbox"/> YES → <input type="checkbox"/> NO	NO
2. COLOUR	<input type="checkbox"/> MULTI. → <input type="checkbox"/> TRIPLE → <input type="checkbox"/> PAL	MULTI
3. ECO SENSOR	<input type="checkbox"/> YES → <input type="checkbox"/> NO	YES
4. BASS	<input type="checkbox"/> YES-BB → <input type="checkbox"/> YES-BB-SB → <input type="checkbox"/> YES-SB <input type="checkbox"/> NO-SB-OFF ← <input type="checkbox"/> NO-SB-ON ← <input type="checkbox"/> YES-BA	NO-SB-ON
5. VOL. LIMITER	<input type="checkbox"/> YES → <input type="checkbox"/> NO	YES
6. TEXT	<input type="checkbox"/> YES → <input type="checkbox"/> NO	NO
7. MSP	<input type="checkbox"/> YES → <input type="checkbox"/> NO → <input type="checkbox"/> NO-A2	NO
8. LANGUAGE	<input type="checkbox"/> E/V → <input type="checkbox"/> E	E/V
9. EW-PIN IC	<input type="checkbox"/> YES → <input type="checkbox"/> NO	YES
10. B/B OFF MUTE	<input type="checkbox"/> ON → <input type="checkbox"/> OFF	OFF
11. LED	<input type="checkbox"/> 2 → <input type="checkbox"/> 3	3
12. D/K NICAM	<input type="checkbox"/> YES → <input type="checkbox"/> NO	NO
13. ALC	<input type="checkbox"/> YES → <input type="checkbox"/> NO	YES
14. BBE	<input type="checkbox"/> YES → <input type="checkbox"/> NO	NO
15. E.M.C.	<input type="checkbox"/> YES → <input type="checkbox"/> NO	NO

USER SETTING VALUES (Page 7)

Table 2

Setting item	Setting value	Setting item	Setting value
SUB POWER	ON	BASS	CENTER
CHANNEL POSITION	1 POSITION	BALANCE	CENTER
CHANNEL PRESET	Refer to OPERATING INSTRUCTION	LANGUAGE	VIETNAMESE
VOLUME	Appropriate sound volume	AUTO VNR	OFF
TV/VIDEO	TV	OFF TIMER	OFF
ON SCREEN DISPLAY	POSITION NUMBER DISPLAY	AUTO SHUTOFF	OFF
COLOUR SYSTEM	AUTO PAL	ECO SENSOR	OFF
SOUND SYSTEM	B / G	AI VOLUME	HIGH
PICTURE MODE (VSM)	BRIGHT	BLUE BACK	OFF
LIVE SPATIAL	OFF	ON TIMER	PR1 0:00
TREBLE	CENTER	CHILD LOCK	OFF

SERVICE ADJUSTMENTS

■ Initial Setting Value

■ IF CIRCUIT ADJUSTMENT -- Adjustment of DELAY POINT (Page 15)

Setting (Adjustment) item	Variable range	Initial setting value
DELAY POINT (AGC TAKE-OVER)	0 ~ 63	19

■ V/C (VIDEO/CHROMA) CIRCUIT ADJUSTMENT (Page 15)

[SUB MENU 2. V/C]

Setting item	Colour system	Variable range	Initial setting value			
			PAL	SECAM	NTSC 3.58	NTSC 4.43
1. CUT OFF (R / G / B)		-128 ~ +127	0	←	←	←
2. DRIVE (R / B)		-128 ~ +127	0	←	←	←
3. BRIGHT (RF/VIDEO)		-128 ~ +127	0 / 0	+2 / -1	0 / -2	——
4. CONT. (RF/VIDEO)		-42 ~ +42	0 / -6	-7 / -8	-8 / -7	——
5. COLOUR		-60 ~ +68	+11	+3	+15	0
6. TINT (TV / VIDEO)		-64 ~ +63	——	——	+12 / 0	0 / -4
7. BLACK OFFSET (R-Y / B-Y)		-8 ~ +7	——	+4 / +2	——	——
8. SHARP (TV / VIDEO)		-32 ~ +31	-15 / 0	←	-20 / 0	——
9. TEXT (RGB) CONT.		-128 ~ +77	+10	←	←	←
10. B.S.OFF		0 ~ +1	0	←	←	←
11. B.S.POINT		0 ~ +7	+6	←	←	←
12. DC TRAN RATE		0 ~ +7	0	←	←	←
13. APA-CON FO/SW		0 ~ +3	+1	←	←	←
14. VSM PHASE		0 ~ +3	+3	←	←	←
15. VSM GAIN		0 ~ +3	+1	←	←	←
16. CLL SW		0 ~ +1	+1	←	←	←
17. CLL LEVEL		0 ~ +3	+2	←	←	←
18. ABL POINT		0 ~ +7	+5	←	←	←
19. ABL GAIN		0 ~ +7	+1	←	←	←
20. Y-DL (TV / VIDEO / S)		0 ~ +7	+2 / +4 / +2	+3 / +3 / +2	+2 / +2 / +2	+4 / +4 / +2
21. P.ACL SW		0 ~ +1	+1	←	←	←
22. WPL SW		0 ~ +1	0	←	←	←
23. Y GAMMA		0 ~ +1	0	←	←	←

: Do not adjust.

Adjustment of SUB COLOUR-II (Page 18)

Adjustment part	Description
5. COLOUR	
PAL COLOUR	Value (A) in the figure: Set to +4V (W & G) .
SECAM COLOUR	Value (A) in the figure: Set to +3V (W & G) .
NTSC 3.58 COLOUR	Value (A) in the figure: Set to +4V (W & G) .

Adjustment of SUB TINT-II (Page 19)

Adjustment part	Description
6. TINT	
NTSC 3.58 TINT	Value (B) in the figure: Set to +3V (W & Cy) .

■ DEFLECTION CIRCUIT ADJUSTMENT (Page 21)

[SUB MENU 4. DEF]

Setting item	Adjustment name	Variable range	Initial setting value	
			50Hz	60Hz
1. TRAPEZ	Trapezoidal distortion correction	-32 ~ +31	-15	-3
2. V-SHIFT	Vertical center	-32 ~ +31	-19	+12
3. V-SIZE	Vertical height	-64 ~ +63	+12	0
4. H-CENT	Horizontal center	-16 ~ +15	-6	0
5. H-SIZE	Horizontal width	-64 ~ +63	+6	0
6. EW-PIN	Side pin correction	-64 ~ +63	-10	0
7. V-S. CR	Vertical height correction	-64 ~ +63	0	+2
8. V-EDGE	Vertical edge correction	-64 ~ +63	+3	+2
9. EW-COR	Side pin fore correction	-64 ~ +63	-1	-1
10. V-LINE	Vertical linearity	-16 ~ +15	0	+2
11. H-COMP	Horizontal compensation	0 ~ +15	+3	0

: Do not adjust.

■ VSM PRESET ADJUSTMENT (Page 25)

[Setting Values for SUB MENU 5. VSM PRESET]


VSM preset mode VSM Setting item	VSM preset mode		
	BRIGHT	STANDARD	SOFT
1. TINT SETTING VALUE	0	←	←
2. COLOUR SETTING VALUE	0	←	←
3. BRIGHT SETTING VALUE	0	←	←
4. CONT. SETTING VALUE	+15	0	-4
5. SHARP SETTING VALUE	0	←	-3

: Do not adjust.

■ CENTER ADJUSTMENT (Page 25)

[SUB MENU 6. CENTER]

Setting item	Initial setting value (fixed)
TREBLE (Do not adjust.)	+2
BASS (Do not adjust.)	+3

 : Do not adjust.

JVC

VICTOR COMPANY OF JAPAN, LIMITED
TELEVISION RECEIVER DIVISION 1106 Heta, Iwai-city, Ibaraki-prefecture, 306-0698, Japan